

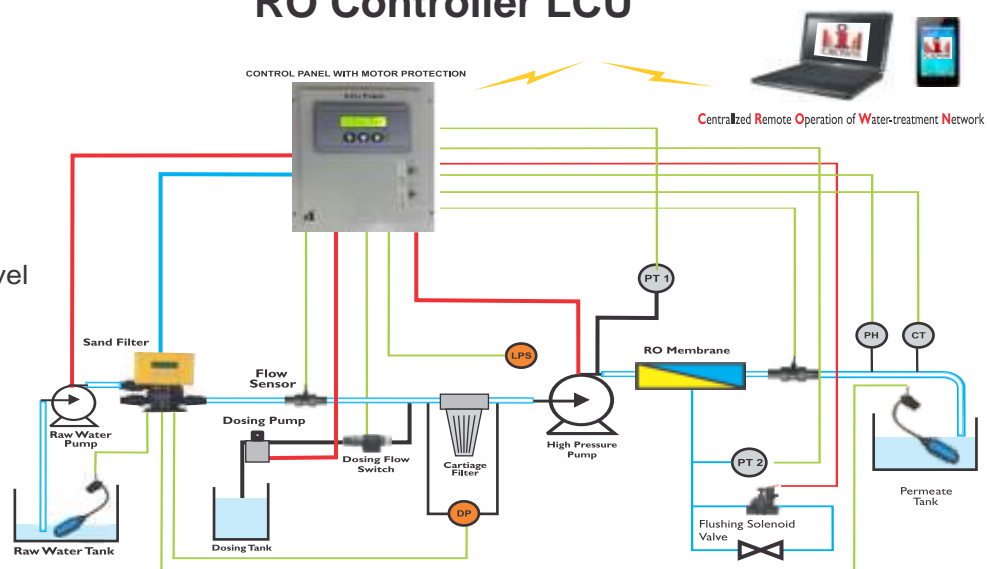
Initiative Controller

LCU Local Control Unit



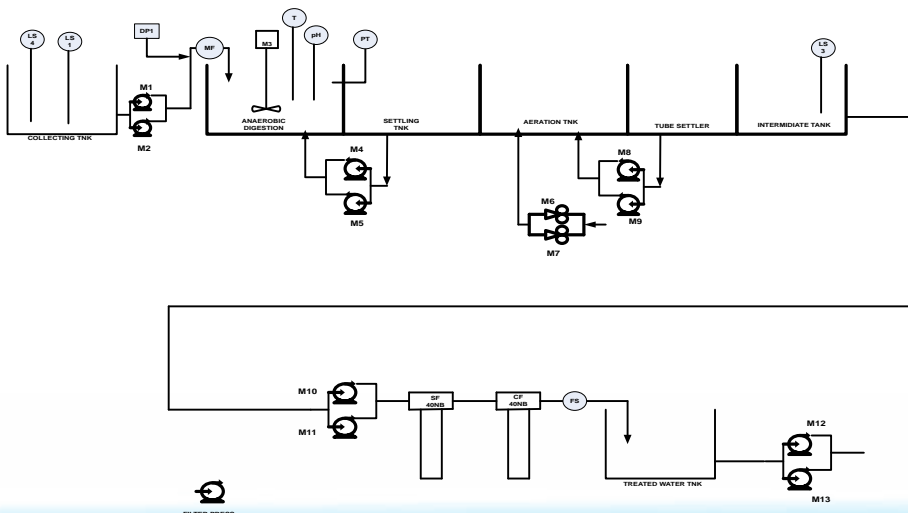
- 2 line Display of 6 instruments & Plant Status
- Indication of 2 flow and 4 instruments (ex. Conductivity, Pressure, pH, ORP, etc)
- Starts and Stops plant remotely and manually
- Sends SMS to 2 PCs/ Tablet/Smart Phone of all instruments Digital Inputs, Total Quantity of Pure Water & Running Hours
- Reads instrumental data via RS 485
- Displays and sends alert for dosing pump and cartridge filter malfunctions
- By connecting to energy meter it will transmit all electrical data to CROWN.

RO Controller LCU



- Control and monitor Auto MPV
- Allows Changing settings & Backwash/Regeneration remotely with CROWN
- Sequential Start / Stop Based on Tank Level
- LPS & HPS Interlok
- Auto Flushing with RWP & / or HPP

STP_LCU



- Sends SMS about Operational Parameter to the Remote Computer as well as Tablet via CROWN
- Allows Changing settings of Auto MPVs e.g. Batch Volume/ Time, Backwash/ Rinse duration
- Sequential Start / Stop Based on Tank Level
- Controls all the 4 pumps in the STP i.e. FP, Blower, TP and Sludge Pump in each mode-working and standby
- In case any of the working pump gets tripped, it automatically starts the standby pump till the tripped pump is reset by the operator

Initiative Controllers

IIM

Initiative Instrument Monitor



- Monitors the whole plant
- 2 line Display of 4 Instrument Values and 2 at a time. (For Ex., Conductivity, pressure, ORP, pH, etc)
- Transmits The Above At desired frequency via SMS
- Hand shakes with Water ATM to transmit all data to WATEM Software
- Displays and Transmits all Data of any device connected via RS 485 pump.

ARO Controller



- Sequential Start / Stop Based on Tank Level
- LPS & HPS Interlok
- Auto Flushing with RWP & / or HPP
- Permeate Conductivity Indication with alarm
- Permeate Flow / total with Low flow alarm
- Sand Filter Backwash reminder based on RO ON TIME
- Total Quantity of Pure Water & Running Hours

MCC

Motor Control Circuit



- Controls 2 pumps.
- Selectable 1 phase/ 3 phase for both pumps
- Overload, Dry run & Phase imbalance protection
- Displays Current of all 3 phases of both pumps
- Indicates the reason for tripping thorough LED for both pumps